

## Freezing Vials

### Description

Freezing Vials with Flat Screw-cap, DNase/RNase free, Non-pyrogenic

### Purpose

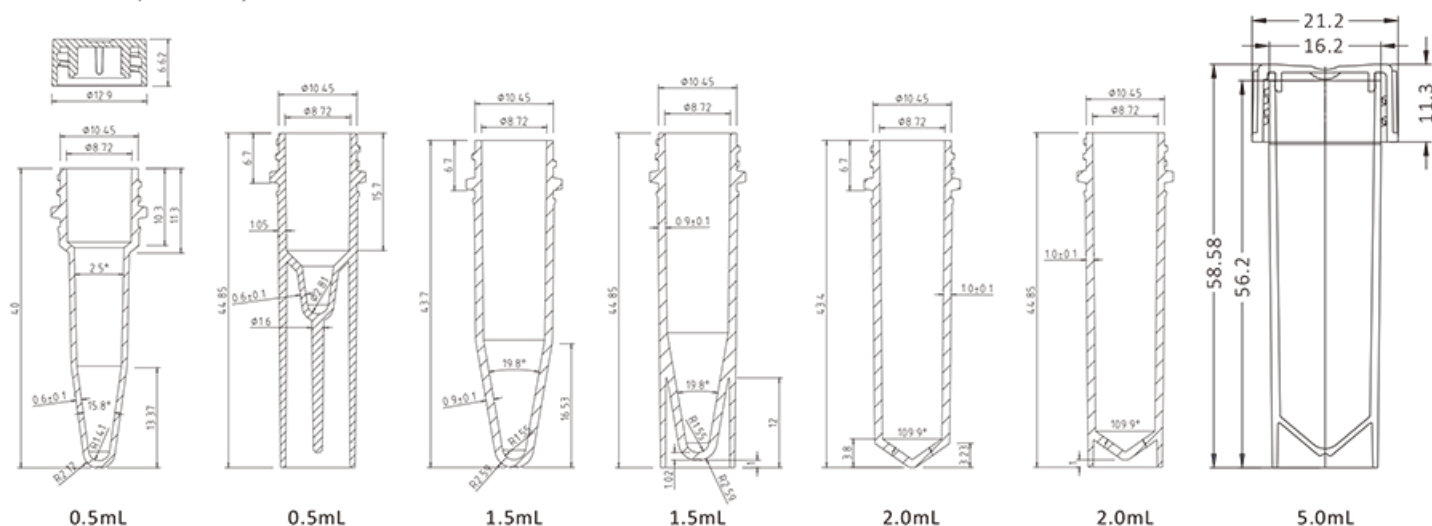
Freezing Vials withstand low temperature for safe storage and transportation of cells, blood, serum and other specimens

### Materials

Tube: PP (Polypropylene)

Screw cap: PP (Polypropylene)      Color: Color-coded cap

### Dimensions (Unit: mm)



### Features

- Temperature range: -196°C to +121°C
- O-rings are made from silicone to insure a leak proof seal
- Screw cap for one-handed operation
- Color-coded caps for easy identification
- Part of the tube has mold engraved scale experimental process of recording easy
- DNase/RNase free and Non-pyrogenic
- Sterilized by irradiation SAL10<sup>-6</sup> (ISO11137)
- Shelf Life: 3 years after month of production
- Manufactured in a class 100,000 room environment
- Manufactured under ISO13485 and ISO9001 quality management system

**Warning!** Do not use freezing vials for storage in the liquid phase of liquid nitrogen. Only store vials in the vapor phase above the liquified gas. Always use appropriate safety equipment when removing vials from cryogenic storage.



## Freezing Vials

Cat. No.	Volume	Tube Color	Bottom Style	Cap Color	Graduation	Sterilization	Qty/Bag	Qty/Case
FCT511005	0.5 mL	Natural	Self-standing	Natural	No	No	50	5000
FCT511105	0.5 mL	Natural	Self-standing	Red	No	No	50	5000
FCT511205	0.5 mL	Natural	Self-standing	Orange	No	No	50	5000
FCT511305	0.5 mL	Natural	Self-standing	Blue	No	No	50	5000

## Freezing Vials

Cat. No.	Volume	Tube Color	Bottom Style	Cap Color	Graduation	Sterilization	Qty/Bag	Qty/Case
FCT511405	0.5 mL	Natural	Self-standing	Yellow	No	No	50	5000
FCT511505	0.5 mL	Natural	Self-standing	Green	No	No	50	5000
FCT511605	0.5 mL	Natural	Self-standing	Pink	No	No	50	5000
FCT511705	0.5 mL	Natural	Self-standing	Brown	No	No	50	5000
FCT511805	0.5 mL	Natural	Self-standing	White	No	No	50	5000
FCT511905	0.5 mL	Natural	Self-standing	Black	No	No	50	5000
FCT512005	0.5 mL	Natural	Self-standing	Natural	No	Yes	50	5000
FCT512105	0.5 mL	Natural	Self-standing	Red	No	Yes	50	5000
FCT512205	0.5 mL	Natural	Self-standing	Orange	No	Yes	50	5000
FCT512305	0.5 mL	Natural	Self-standing	Blue	No	Yes	50	5000
FCT512405	0.5 mL	Natural	Self-standing	Yellow	No	Yes	50	5000
FCT512505	0.5 mL	Natural	Self-standing	Green	No	Yes	50	5000
FCT512605	0.5 mL	Natural	Self-standing	Pink	No	Yes	50	5000
FCT512705	0.5 mL	Natural	Self-standing	Brown	No	Yes	50	5000
FCT512805	0.5 mL	Natural	Self-standing	White	No	Yes	50	5000
FCT512905	0.5 mL	Natural	Self-standing	Black	No	Yes	50	5000
FCT511115	1.5 mL	Natural	Self-standing	Red	No	No	50	5000
FCT511915	1.5 mL	Natural	Self-standing	Black	No	No	50	5000
FCT512015	1.5 mL	Natural	Self-standing	Natural	No	Yes	50	5000
FCT512115	1.5 mL	Natural	Self-standing	Red	No	Yes	50	5000
FCT512215	1.5 mL	Natural	Self-standing	Orange	No	Yes	50	5000
FCT512315	1.5 mL	Natural	Self-standing	Blue	No	Yes	50	5000
FCT512415	1.5 mL	Natural	Self-standing	Yellow	No	Yes	50	5000
FCT512515	1.5 mL	Natural	Self-standing	Green	No	Yes	50	5000
FCT512615	1.5 mL	Natural	Self-standing	Pink	No	Yes	50	5000
FCT512715	1.5 mL	Natural	Self-standing	Brown	No	Yes	50	5000
FCT512815	1.5 mL	Natural	Self-standing	White	No	Yes	50	5000
FCT512915	1.5 mL	Natural	Self-standing	Black	No	Yes	50	5000
FCT511020	2.0 mL	Natural	Self-standing	Natural	Yes	No	50	5000
FCT511320	2.0 mL	Natural	Self-standing	Blue	Yes	No	20	5000
FCT511920	2.0 mL	Natural	Self-standing	Black	Yes	No	20	5000
FCT512020	2.0 mL	Natural	Self-standing	Natural	Yes	Yes	20	5000
FCT512120	2.0 mL	Natural	Self-standing	Red	Yes	Yes	20	5000
FCT512220	2.0 mL	Natural	Self-standing	Orange	Yes	Yes	20	5000
FCT512320	2.0 mL	Natural	Self-standing	Blue	Yes	Yes	20	5000
FCT512420	2.0 mL	Natural	Self-standing	Yellow	Yes	Yes	20	5000
FCT512520	2.0 mL	Natural	Self-standing	Green	Yes	Yes	20	5000
FCT512620	2.0 mL	Natural	Self-standing	Pink	Yes	Yes	20	5000
FCT512720	2.0 mL	Natural	Self-standing	Brown	Yes	Yes	20	5000
FCT512820	2.0 mL	Natural	Self-standing	White	Yes	Yes	20	5000
FCT512920	2.0 mL	Natural	Self-standing	Black	Yes	Yes	20	5000
FCT622015	1.5 mL	Natural	Conical	Natural	Yes	Yes	500	5000
FCT522815	1.5 mL	Natural	Self-standing	White	No	Yes	500	5000

## Freezing Vials

Cat. No.	Volume	Tube Color	Bottom Style	Cap Color	Graduation	Sterilization	Qty/Bag	Qty/Case
FCT522020	2.0 mL	Natural	Self-standing	Natural	Yes	Yes	500	5000
FCT522120	2.0 mL	Natural	Self-standing	Red	Yes	Yes	500	5000
FCT522320	2.0 mL	Natural	Self-standing	Blue	Yes	Yes	500	5000
FCT611015	1.5 mL	Natural	Conical	Natural	Yes	No	20	5000
FCT611020	2.0 mL	Natural	Conical	Natural	Yes	No	20	5000
FCT611320	2.0 mL	Natural	Conical	Blue	Yes	No	20	5000
FCT611820	2.0 mL	Natural	Conical	White	Yes	No	20	5000
FCT612005	0.5 mL	Natural	Conical	Natural	No	Yes	50	5000
FCT612015	1.5 mL	Natural	Conical	Natural	Yes	Yes	50	5000
FCT612020	2.0 mL	Natural	Conical	Natural	Yes	Yes	20	5000
FCT612115	1.5 mL	Natural	Conical	Red	Yes	Yes	50	5000
FCT612615	1.5 mL	Natural	Conical	Pink	Yes	Yes	50	5000
FCT612820	2.0 mL	Natural	Conical	White	Yes	Yes	20	5000
FCT512005-1	0.5 mL	Natural	Self-standing	Natural	No	Yes	1000	5000
FCT512105-1	0.5 mL	Natural	Self-standing	Red	No	Yes	1000	5000
FCT512305-1	0.5 mL	Natural	Self-standing	Blue	No	Yes	1000	5000
FCT512505-1	0.5 mL	Natural	Self-standing	Green	No	Yes	1000	5000
FCT512020-1	2.0 mL	Natural	Self-standing	Natural	Yes	Yes	1000	5000
FCT512120-1	2.0 mL	Natural	Self-standing	Red	Yes	Yes	1000	5000
FCT512320-1	2.0 mL	Natural	Self-standing	Blue	Yes	Yes	1000	5000
FCT512420-1	2.0 mL	Natural	Self-standing	Yellow	Yes	Yes	1000	5000
FCT512520-1	2.0 mL	Natural	Self-standing	Green	Yes	Yes	1000	5000
FCT001150	5.0 mL	Natural	Self-standing	Green	Yes	Yes	50	500