

Rack of Pipette Micro Tips

Description

Empty rack for 10 µL pipette micro tips, Non-sterile

Purpose

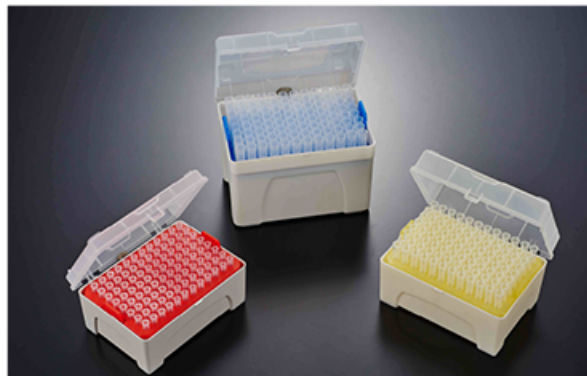
Suitable for pipette micro tips

Materials

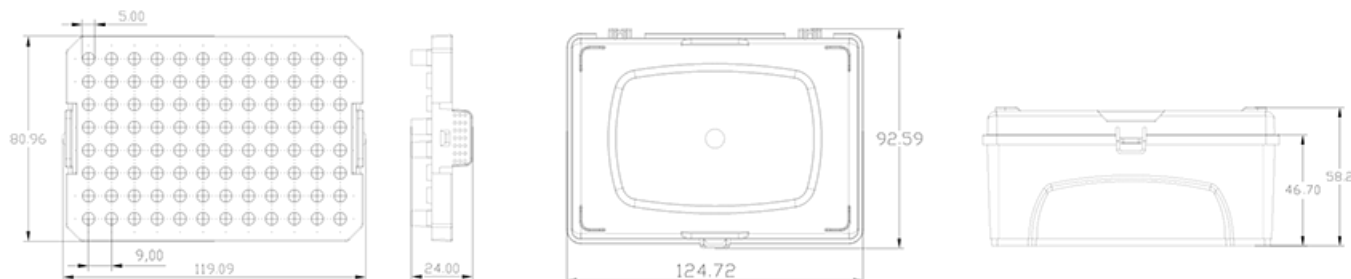
Rack: PP (Polypropylene)

Features

- The high-quality polypropylene racks are fully autoclavable
- Color-coded racks for easy volume identification
- Hinged design for easy one-handed opening
- Lids have a stacking feature for added stability and a secure locking tab
- Interior support ribs prevent rack from warping
- Manufactured in a class 100,000 room environment
- Manufactured under ISO13485 and ISO9001 quality management system



Dimensions (Unit:mm)



Rack of Pipette Micro Tips

Cat. No.	Description	Rack Color	Sterilization	Qty/Case
PPT454010	Empty rack for 10 µL pipette tips, Non-Sterile	Red	No	20

Rack of Pipette Micro Tips

Description

Empty rack for 20-300 µL pipette micro tips, Non-sterile

Purpose

Suitable for pipette micro tips

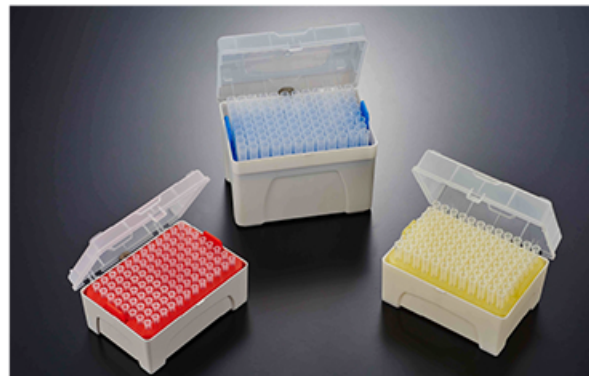
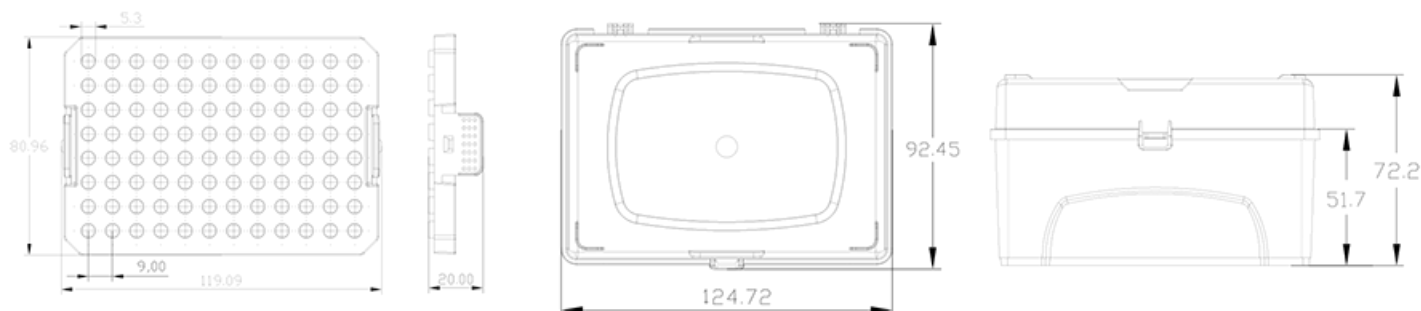
Materials

Rack: PP (Polypropylene)

Features

- The high-quality polypropylene racks are fully autoclavable
- Color-coded racks for easy volume identification
- Hinged design for easy one-handed opening
- Lids have a stacking feature for added stability and a secure locking tab
- Interior support ribs prevent rack from warping
- Manufactured in a class 100,000 room environment
- Manufactured under ISO13485 and ISO9001 quality management system

Dimensions (Unit:mm)



Rack of Pipette Micro Tips

Cat. No.	Description	Rack Color	Sterilization	Qty/Case
PPT450200	Empty rack for 20-300 µL pipette tips, Non-Sterile	Yellow	No	20

Rack of Pipette Micro Tips

Description

Empty rack for 1000 μ L pipette micro tips, Non-sterile

Purpose

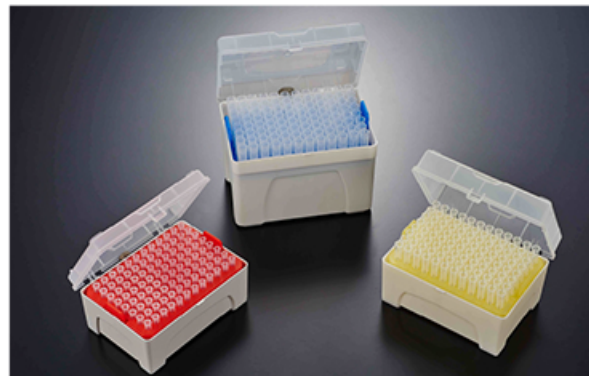
Suitable for pipette micro tips

Materials

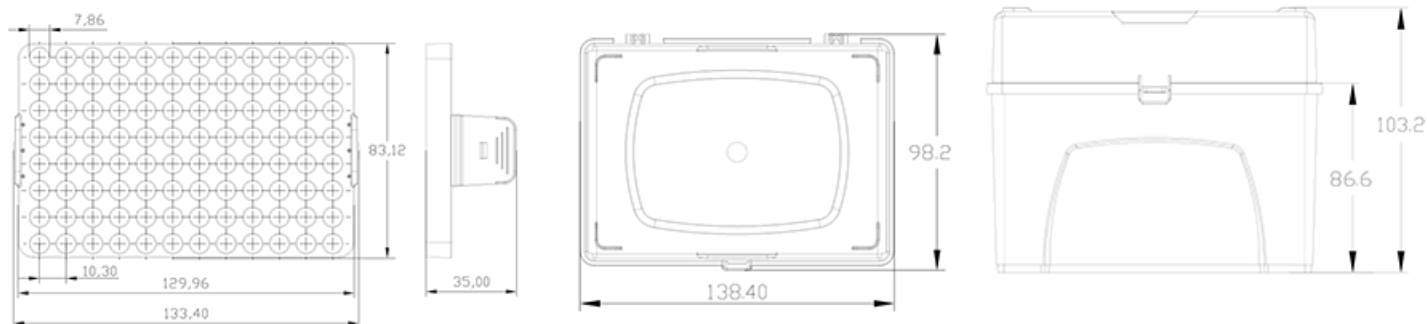
Rack: PP (Polypropylene)

Features

- The high-quality polypropylene racks are fully autoclavable
- Color-coded racks for easy volume identification
- Hinged design for easy one-handed opening
- Lids have a stacking feature for added stability and a secure locking tab
- Interior support ribs prevent rack from warping
- Manufactured in a class 100,000 room environment
- Manufactured under ISO13485 and ISO9001 quality management system



Dimensions (Unit:mm)



Rack of Pipette Micro Tips

Cat. No.	Description	Rack Color	Sterilization	Qty/Case
PPT450000	Empty rack for 1000 μ L pipette tips, Non-Sterile	Blue	No	20

Rack of Pipette Micro Tips

Description

Empty rack for 1000 µL Long pipette micro tips, Non-sterile

Purpose

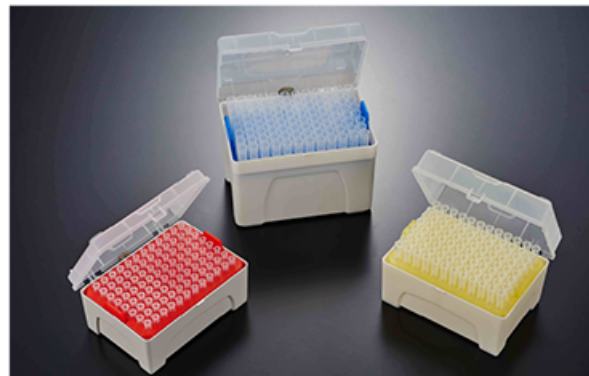
Suitable for pipette micro tips

Materials

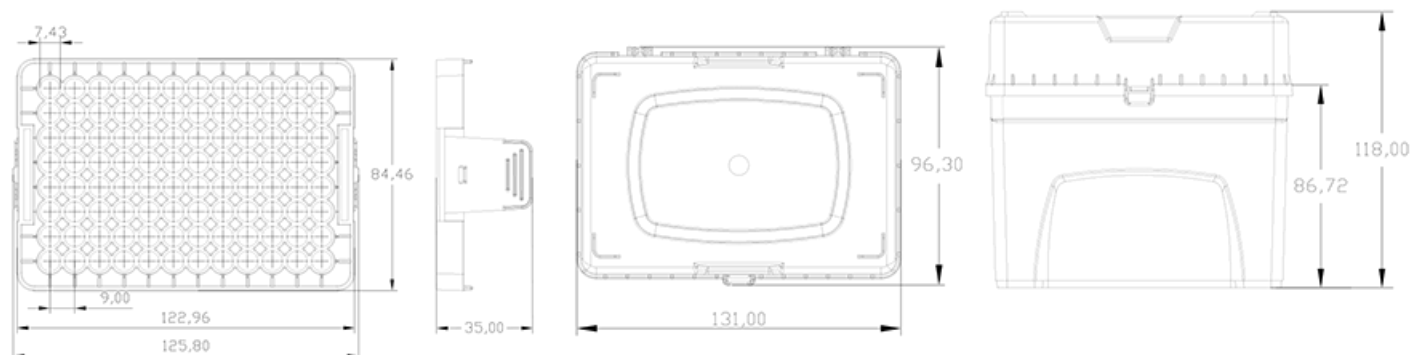
Rack: PP (Polypropylene)

Features

- The high-quality polypropylene racks are fully autoclavable
- Color-coded racks for easy volume identification
- Hinged design for easy one-handed opening
- Lids have a stacking feature for added stability and a secure locking tab
- Interior support ribs prevent rack from warping
- Manufactured in a class 100,000 room environment
- Manufactured under ISO13485 and ISO9001 quality management system



Dimensions (Unit:mm)



Rack of Pipette Micro Tips

Cat. No.	Description	Rack Color	Sterilization	Qty/Case
PPT450001	Empty rack for 1000 µL Long pipette tips, Non-Sterile	Blue	No	20